

ATTN: Police & Firemen



TargetedJustice.com

The FBI is lying to you. Most people on the Terror Watchlist are "**Non-Investigative Subjects.**" The FBI is not investigating them because they have been placed into an illegal CIA experiment, called **Targeted Individuals**, and they are tracked using the Watchlist. These people are tortured 24 hours/day with microwaves and gangstalking. Many of them are political activists, whistleblowers, labor union leaders, and scientists.

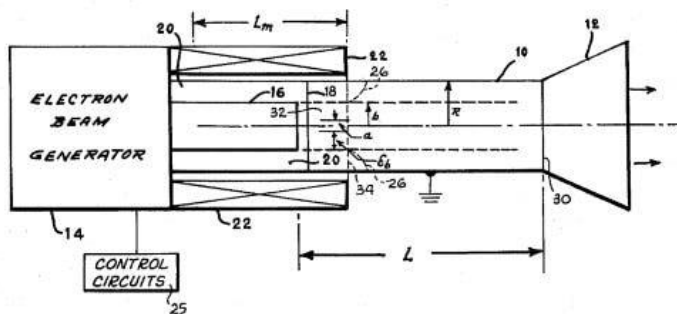
The funding and sponsors of this criminal enterprise are the wealthy **Rockefeller family** and the **Council on Foreign Relations (CFR)** in New York City.

The Sworn Affidavits of 2 brave FBI agents will confirm this is true: **Ted Gunderson and GERAL SOSBEE** (www.SosbeeVFBI.com)

Many Medical Doctors can confirm this is true:

- Dr John Hall, M.D.** author of 2 books
- Dr Daniel Lebowitz, M.D.**
- Dr Spencer Carter, M.D.** (BiggerThanSnowden.com)
- Dr Douglas Smith, M.D.**
- Dr Colin Ross, M.D.,** and others

The Satellite microwave weapons are called a Vircator, and are operated and controlled by the Air Force Space Command at Schriever Air Force Base, in Colorado Springs, CO.



Vircator Microwave Pulse Weapon

Patent 4345220, Donald J. Sullivan – assigned to the U.S. Air Force.

Thunderbolt System, first launched in 1987.

32 MegaJoule rating @ 3925 MHz. Manufactured by the Titan Corporation, in San Leandro, CA.

The Gangstalking program is run by the FBI, which is designed to harass, intimidate, and break down the person. The FBI outsources much of the local harassment to community groups, such as Infragard, Citizen Corp, and Neighborhood Watch. The FBI instructs Police and Firemen not to assist with the emergency calls. In the U.S., there are about 170,000 Targeted Individuals, and more than 1 million worldwide.

We urge you to visit TargetedJustice.com

Please help us stop this criminal enterprise.



Advisory Board: Dr John Hall, MD; Dr Eric Karlstrom, Professor; Dr Katherine Horton, PhD